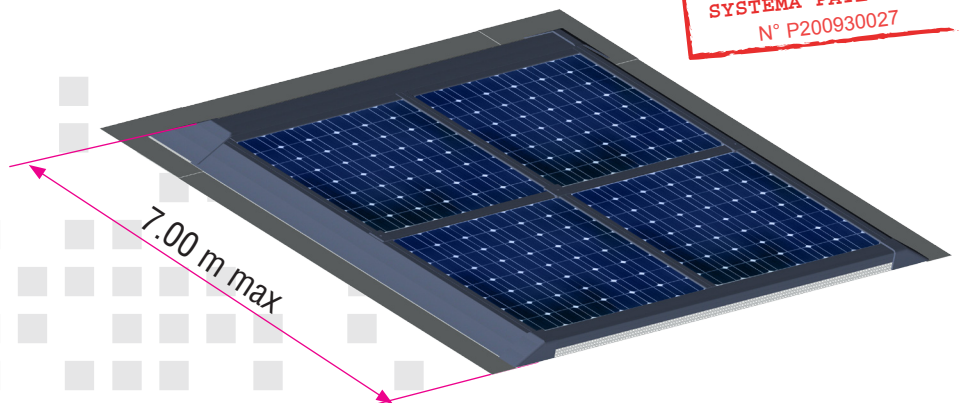
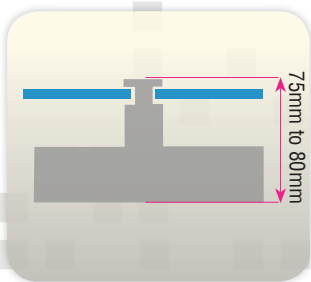
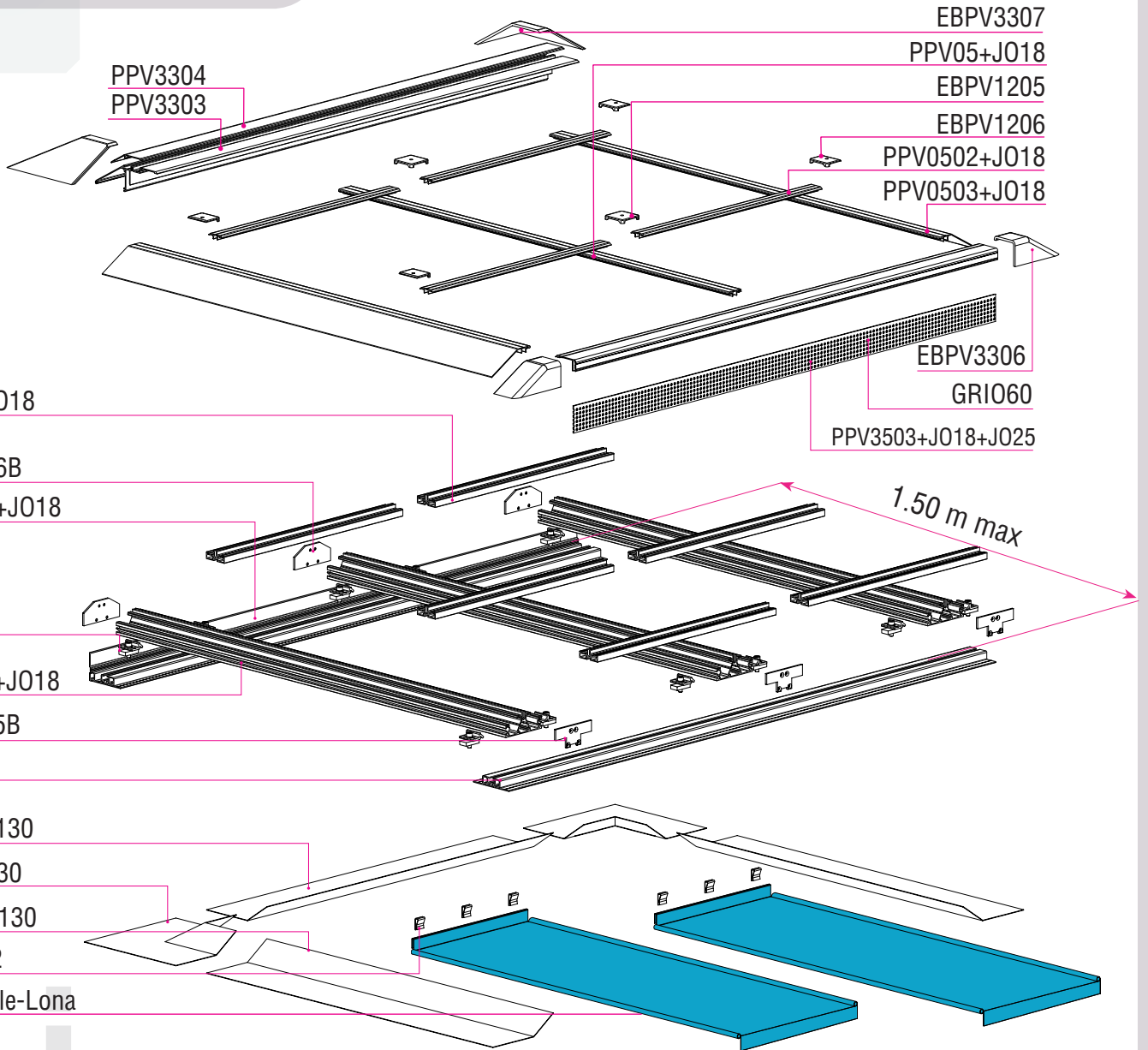


# HAWK SYSTEM 55

## 3kW KIT

### RESIDENTIAL INTEGRATION

5x10N Hawk roof-integrated mounting system, 3kW kit  
 Système Hawk N intégré individuel Kit 3Kw  
 KIT 3kW Integración individual 5x10N sin marco  
 5x10N Hawk, KIT 3kW integrierte Unterkonstruktion für Wohnhäuser

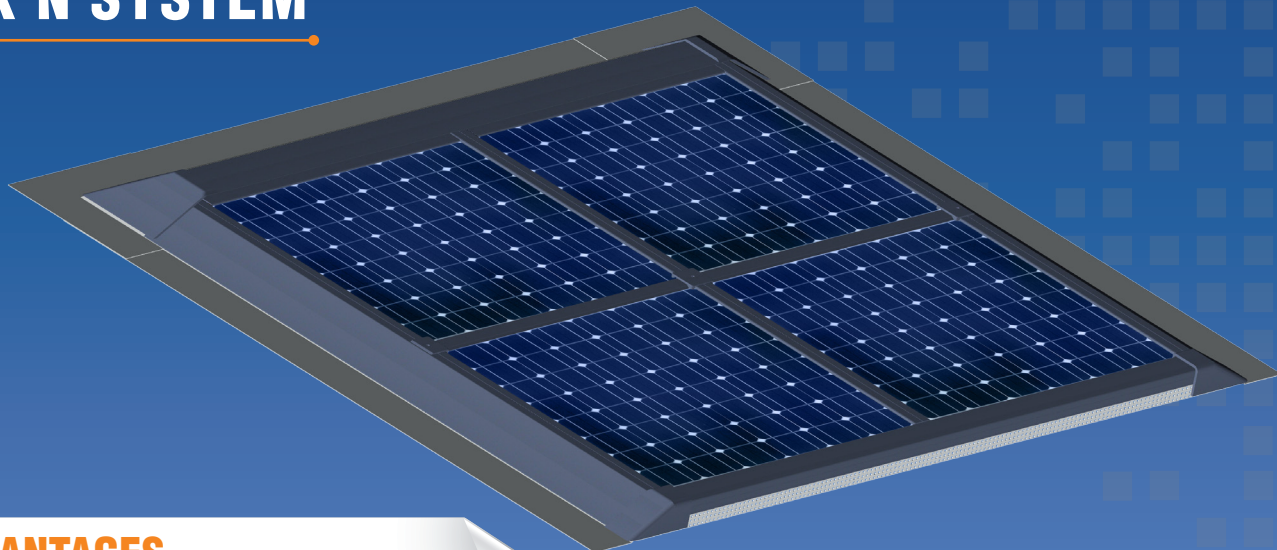


PATENTED SYSTEM  
 SYSTÈME BREVETÉ  
 SISTEMA PATENTADO  
 N° P200930027

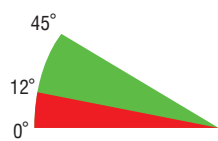
# 3kW KIT 55

## Residential integration

### HAWK N SYSTEM



#### + ADVANTAGES



Tilt angle

- Quick Installation
- Minimum height (extremely flat)

For 5mm to 10mm thick panels



LANDSCAPE INSTALLATION ONLY



FOR UNFRAMED PANELS

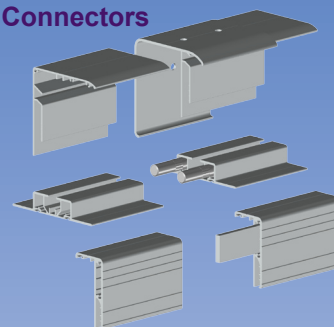
#### Structure components:

Aluminium profiles  
Aluminium foundry pieces (AS13)  
A2 stainless steel fastenings RAL 7016 + EPDM washer and joint

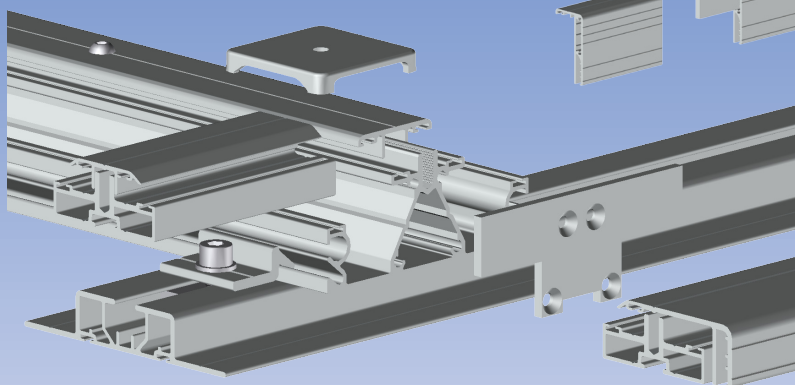
#### Finish:

- mill finish  
- powder coated with PTFE textured finish RAL 7016

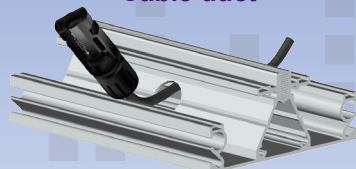
#### Connectors



#### Assembly

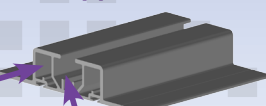


#### Cable duct



#### Support rail

Optional joint (thermal break)



Rafter fixation channel

82 mm fixing centres